

**International Standard Electronic Heating**

**Thermostat Characteristics:**

- Mounted on the surface of the wall indoors
- Temperature control range +5/+40°C
- Applied in the auto-control system of space heating
- LED turned on while heating
- Satisfying the requirements of safety, energy saving and comfort.

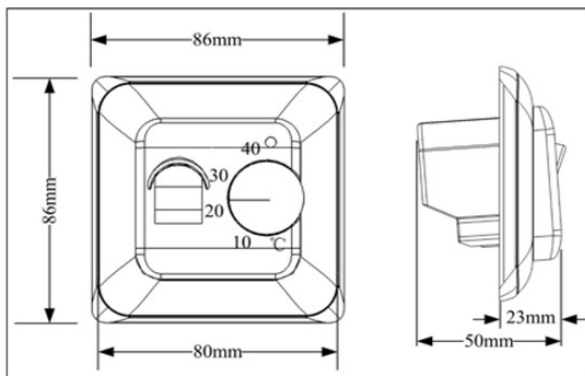
**Types Table:**

Types	Load Current	Methods of Temperature Measurement	Applications
M5.03	3A	Outside Sensor	Heating cable and other power heat loads
M5.03I		Inside Sensor	
M5.03D		Outside & Inside Sensors	
M5.16	16A	Outside Sensor	
M5.16I		Inside Sensor	
M5.16D		Outside & Inside Sensors	

**Technique Parameters:**

- Voltage: 220VAC
- Power consumption: 5VA
- Temperature control range: 5~40°C
- Temperature limit range: 25~55°C
- Power save mode temperature: 5°C
- Temperature deviation: ±0.5K
- Ambient temperature: -5~50°C
- Degree of protection provided by enclosure: IP20
- Outer sensor: length of cable 3m

**Specification:**



**Mounting of Outer Sensor:**

Please place the casing under the floor with the outer sensor in, the terminal of which should be thickened and placed on the top of the concrete layer. Sensor cable can be extended to 50m with other cables if necessary. If multi-core cable is used as extended cable, extra cable core should not be used for power

supply (e.g. power supply for heating cable) for avoiding the interference of voltage signal to the heating thermostat. If there is shielded cable in the extended cable, shielded cable should not be connected to ground but to terminal 7. It is recommended that the extended cable and casing should not be shared with others.

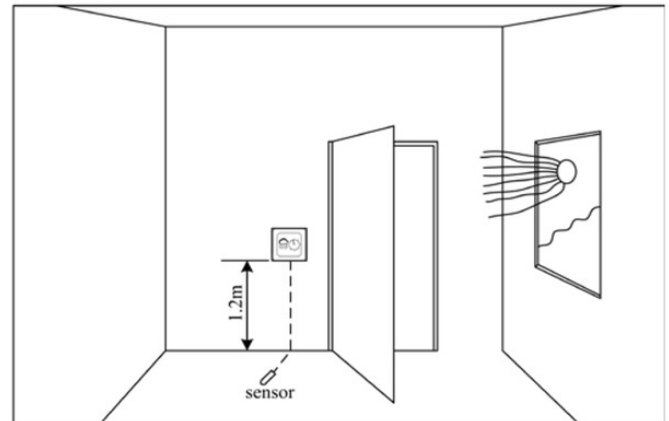
**Outer sensor and its resistance:**

Temperature(°C)	Resistance(Ω)
5	22070
10	17960
20	12091
30	8312
40	5827

**Mounting Location Recommended:**

The heating thermostat should be mounted on the wall with air flowing freely around.

**Warning: The mounting location should not be influenced by other heat source (e.g. sunlight), air flow through doors & windows or temperature of outer wall.**



**Temperature Set:**

The factory default of temperature control range is +5/+40°C. For convenient adjusting the LED will be turned on while heating. For the first use, please set the thermostat at the highest temperature, when the room or floor temperature approaches the expected, please turn the knob back until the LED is turned off. One or two days after, user could do fine turning if necessary.

**Handling Instruction:**

- ① on and off:  
| on ○ off
- ② temperature set:  
5~40°C
- ③ indicator:  
LED turned on while heating.